



**D 300 AM
D 300 AMG**

**D 250 AHG
D 250 AHGA
D 350 AHG
D 400 AHG**



www.ausa.com

AUSA Center, S.L.U. ● Ctra. de Vic, Km 2.8 - P.O.B. 194, 08243 Manresa - BARCELONA (ESPAÑA) Tel.: +34 93 874 73 11 E-mail: ausa@ausa.com

ISO 9001

ISO 14001



(Sede central AUSA-Manresa)

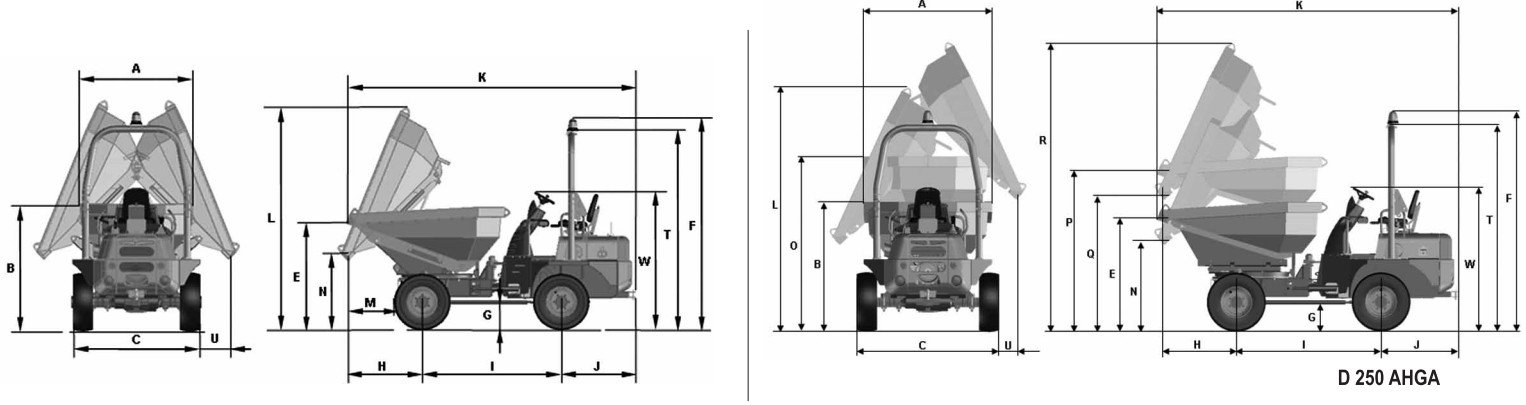
AUSA Madrid ● Pol. Ind. Coslada-Marconi 15-17, 28823 Coslada - MADRID (ESPAÑA) Tel.: +34 91 669 00 06 E-mail: ausa.madrid@ausa.com
AUSA France ● Z. I. Saint Charles-Rue de Zürich, 66000 PERPIGNAN (FRANCE) Tel.: +33 (0) 4 68 54 38 97 E-mail: ausa.france@ausa.com
AUSA ● Unit 16 Hollows Works - Shawclough Road - Rochdale - Lancs OL12 6LN (U.K.) Tel.: +44 (0) 1706 64 96 91 E-mail: ausa.uk@ausa.com
AUSA Repräsentanzbüro Deutschland ● Heinrich - Welken Str. 5, 59069 HAMM - RHYERN (GERMANY) Tel.: +49 2385922245 E-mail: ausa.deutschland@ausa.com
AUSA Northamerica Corp. ● 2655 Le Jeune Road - Suite 808, CORAL GABLES FL 33134 (USA) Toll free: 1 800 820 AUSA E-mail: ausa.corp@ausa.com
BEIJING Rep. Office ● Address Room 527, HengXiang Building, Tuanjihu Nanli, Chaoyang District. - Beijing 100026 CHINA
 Tel: 86-10-8597 1983 - Fax: 86-10-8597 1993 - E-mail: ausa.china@ausa.com



D 300 AM _3.000 kg
D 300 AMG _3.000 kg
D 250 AHG _2.500 kg
D 250 AHGA _2.500 kg
D 350 AHG _3.500 kg
D 400 AHG _4.000 kg



| DIMENSIONS (mm) | D 300 AM | D 300 AMG | D 250 AHG | D 250 AHGA | D 350 AHG | D 400 AHG |
|-----------------|----------|-----------|-----------|------------|-----------|-----------|
| A | 1873 | 1852 | 1503 | 1695 | 1852 | 1866 |
| B | 1668 | 1740 | 1694 | 1700 | 1740 | 1838 |
| C | 1858 | 1858 | 1690 | 1875 | 1858 | 1858 |
| E | 1487 | 1506 | 1500 | 1540 | 1506 | 1590 |
| F | 2956 | 2956 | 2915 | 2924 | 2956 | 2956 |
| G | 398 | 398 | 347 | 363 | 395 | 395 |
| H | 770 | 1024 | 1050 | 980 | 1024 | 1200 |
| I | 1932 | 1932 | 1920 | 1920 | 1932 | 1950 |
| J | 1025 | 1025 | 1025 | 995 | 1025 | 1007 |
| K | 3792 | 4120 | 3975 | 4000 | 4120 | 4353 |
| L | 2626 | 3105 | 3070 | 3230 | 3105 | 3150 |
| M | 330 | 590 | 660 | 590 | 590 | 766 |
| N | 775 | 1035 | 1050 | 1250 | 1035 | 860 |
| O | 2770 | 2770 | 2705 | 2705 | 2770 | 2770 |
| P | - | 327 | 389 | 250 | 327 | 502 |
| Q | 1940 | 1940 | 1909 | 1909 | 1940 | 1940 |
| R | - | - | - | 2300 | - | - |
| S | - | - | - | 2140 | - | - |
| T | - | - | - | 1850 | - | - |
| U | - | - | - | 3830 | - | - |



TECHNICAL SPECIFICATIONS

| | | D 300 AM | D 300 AMG | D 250 AHG | D 250 AHGA | D 350 AHG | D 400 AHG |
|---|-------------------------------|--|--------------------------|--------------|--|--------------------------|-----------|
| Load capacity (centre of gravity at 1ft 7.6 in) (Kg) | | 3000 | | 2500 | | 3500 | 4000 |
| Unloading system | | Hydraulic frontal | Hydraulic, 180° rotating | | Hydraulic tipping | Hydraulic, 180° rotating | |
| Chassis | | Articulated and oscillating | | | | | |
| Hopper capacities (l) | Water | 1325 | 1050 | 818 | 817 | 1050 | 1350 |
| | Levelled | 1590 | 1726 | 1200 | 1246 | 1726 | 2163 |
| | Heaped | 2067 | 2737 | 1910 | 2063 | 2737 | 2941 |
| Engine | Diesel | Kubota V2203 | | | Kubota V2403 | | |
| | Power acc./DIN 6270 B (KW/HP) | 34,7/47,1 (2600r.p.m) | | | 36,5/49,6 (2600r.p.m) | | |
| | Power acc./DIN 70020 (KW/HP) | 37,7/51,2 (2600r.p.m) | | | 39,7/53,9 (2600r.p.m) | | |
| | N° of Cylinders | 4 | | | | | |
| | Cooling system | Water | | | | | |
| Traction | | 4 x 4 permanent | | | | | |
| Transmission | | Mechanical gearbox. 3 forward gears and 1 reverse. Planetary reduction axles besides differential. | | | 2-speed hydrostatic. Front-reverse direction electro-hydraulic operated. Planetary reduction axles besides differential. | | |
| Engine starting system | | Electric | | | | | |
| Speed (max.) (km/h) | | 22 | | 20 | | 21 | |
| Unladen weight (Kg) | | 2540 | 2710 | 2650 | 2960 | 2780 | 2830 |
| Gradient negotiable (with full load) | | 48% | | 70 % | | 54% | 49% |
| Hydraulic circuit | | Gear pump of 12 cc. Working pressure 180 bar | | | | | |
| Tyres | Front | 11,5/80-15,3 (14 PR) | | 10,0/75-15,3 | | 11,5/80-15,3 (14 PR) | |
| | Rear | 11,5/80-15,3 (14 PR) | | 10,0/75-15,3 | | 11,5/80-15,3 (14 PR) | |
| External turning circle | | 4680 | | 4225 | 4330 | 4680 | 4720 |
| Steering | | Hydraulic Working pressure 110 bar | | | | | |
| Tank capacity (l) | Fuel | 44 | | | | | |
| | Hydraulic fluid | 40 | | | | | |
| Service brake | | Oil-immersed, multidisc, hydraulically operated | | | | | |
| Parking brake | | Oil-immersed, multidisc, mechanically operated | | | | | |

STANDARD EQUIPMENT

| |
|---------------------------|
| Retracted ROPS protection |
| Anti vandal system |
| Ergonomic seat |
| Seat belt |
| Rotating beacon |
| Audible reverse warning |

OPTIONAL EQUIPMENT

| |
|--------------------|
| Lighting equipment |
| |
| |